

REAR WHEEL/BRAKE/SUSPENSION

Wheel bearings

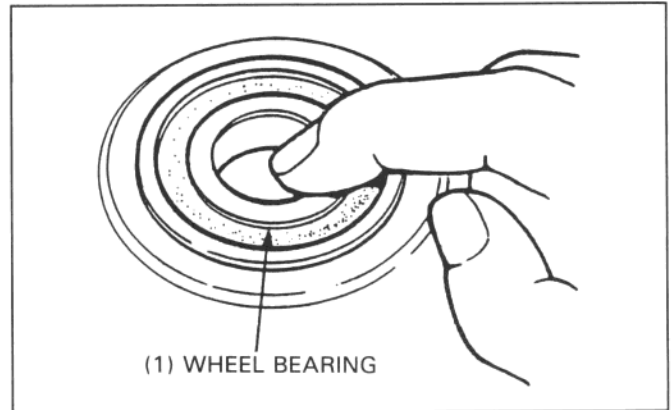
Turn the inner race of each bearing with your finger. The bearings should turn smoothly and quietly.

Remove and discard the bearings if the races do not turn smoothly,

NOTE

- Replace wheel bearings in pairs.

For bearings replacement, see page 13-5.



Wheels

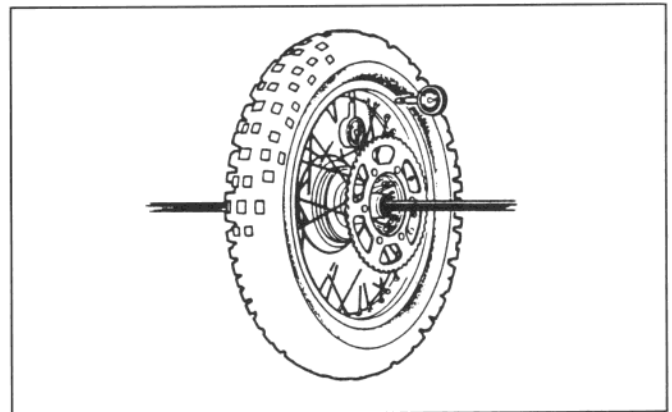
Check the spokes and tighten any that are loose.

TORQUE: 38 N·m (3.8 kg-m, 28 ft-lb)

Check the rim lock for loose and tighten it to the specified torque.

TORQUE: 13 N·m (1.3 kg-m, 9 ft-lb)

Check the rim runout by placing the wheel on a truing stand. Turn the wheel by hand and measure the runout using a dial indicator.



SERVICE LIMITS:

Radial: 2.0 mm (0.01 in)

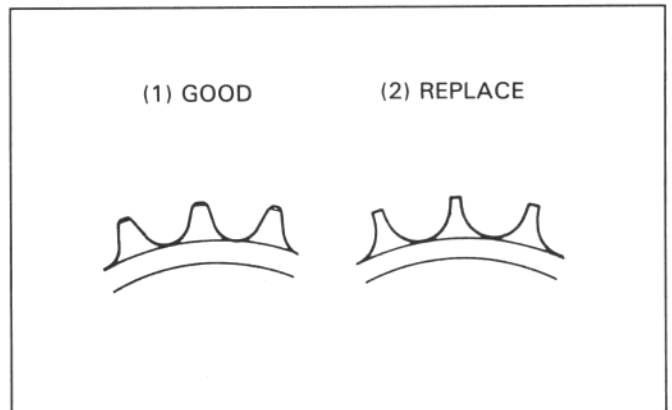
Axial: 2.0 mm (0.01 in)

Driven sprocket

Check the condition of the final driven sprocket teeth. Replace the sprocket if worn or damaged.

NOTE

- The drive chain and drive sprocket must also be inspected if the driven sprocket is worn or damaged.



DISASSEMBLY

Remove the collar from the wheel hub.

TOOLS:

BEARING REMOVER SHAFT 07746-0050100

BEARING REMOVER HEAD, 17 mm 07746-0050500

