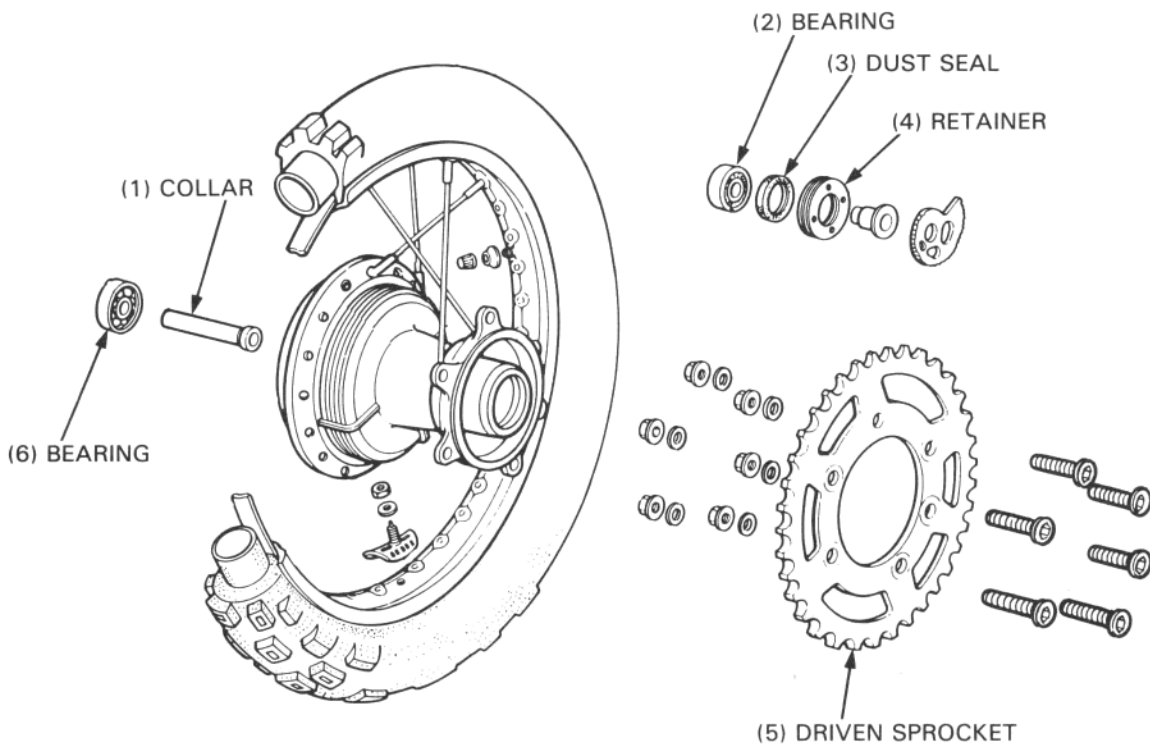


## REAR WHEEL/BRAKE/SUSPENSION



Drive the left bearing in first.

### TOOLS:

DRIVER

ATTACHMENT, 37 x 40 mm

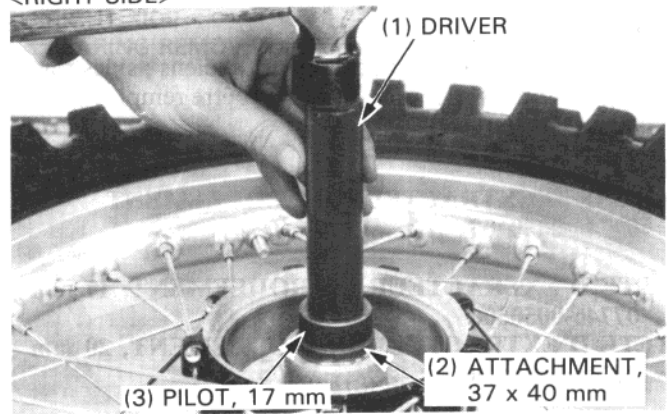
PILOT, 17 mm

07749-0010000

07747-0010200

07747-0040400

<RIGHT SIDE>



Insert the distance collar into place with the "LH" mark to the left.

