

**B. Disassembly**

1. Refer to the section on disassembly of the crankshaft on page 18.

By removing the right and left crankcases, the kick starter spindle assembly can be removed.

**C. Inspection**

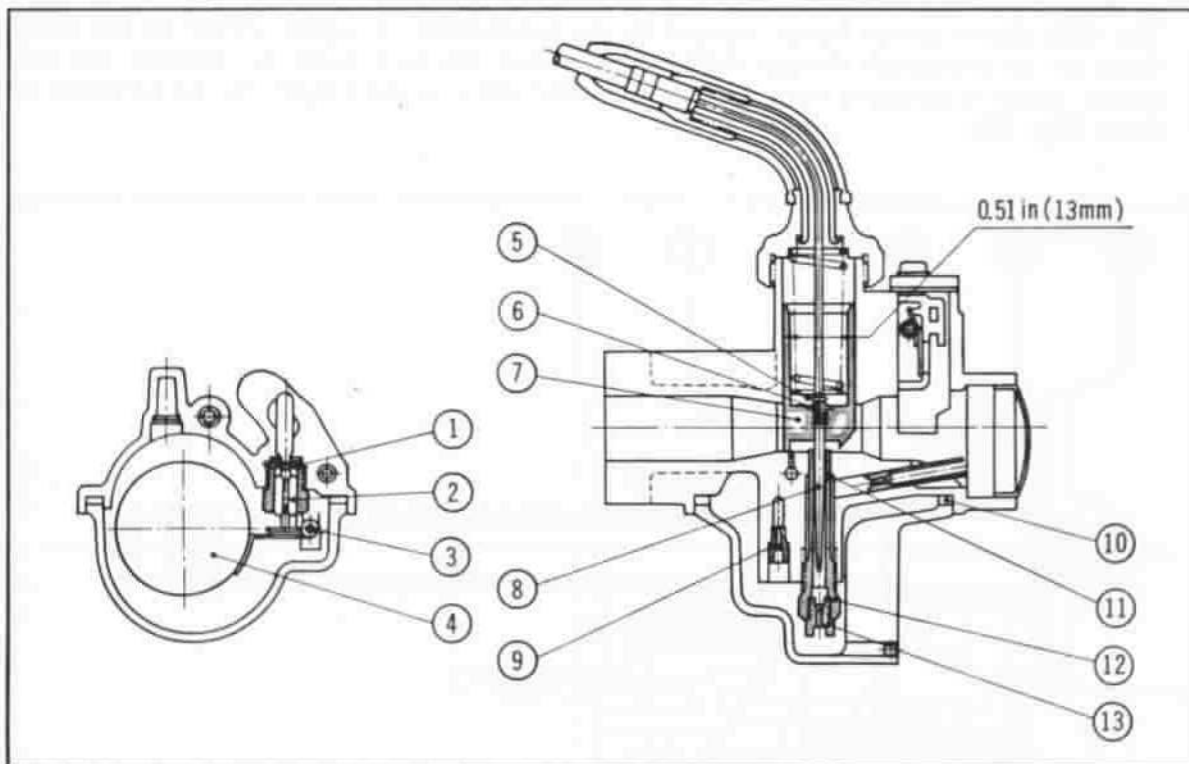
Check to make sure that the kick starter pinion is operating smoothly.

**D. Reassembly**

1. Perform the reassembly in the reverse order of the disassembly.

**12. CARBURETOR****A. Description**

The carburetor mixes the fuel and air taken into the engine in a correct proportion to produce a mixture and which is further atomizes so that it is easily combustible. The construction of the carburetor is shown in Fig. 52.



- ① Float valve seat ② Float valve ③ Float arm pin ④ Float ⑤ Needle clip plate ⑥ Needle clip  
 ⑦ Throttle valve ⑧ Jet needle ⑨ Slow jet ⑩ Float chamber washer ⑪ Needle jet  
 ⑫ Needle jet holder ⑬ Main jet

Fig. 52