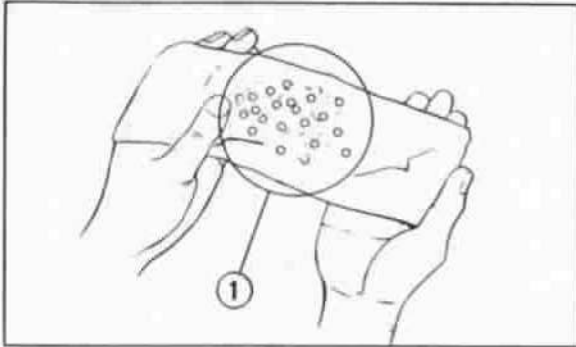
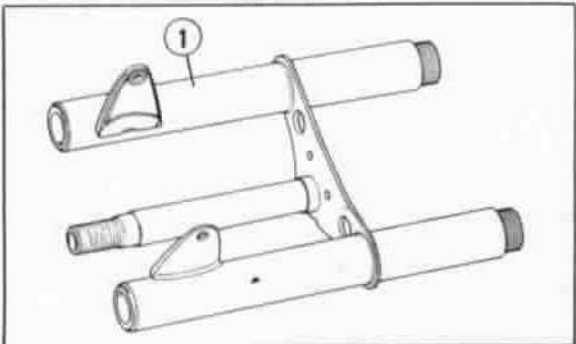


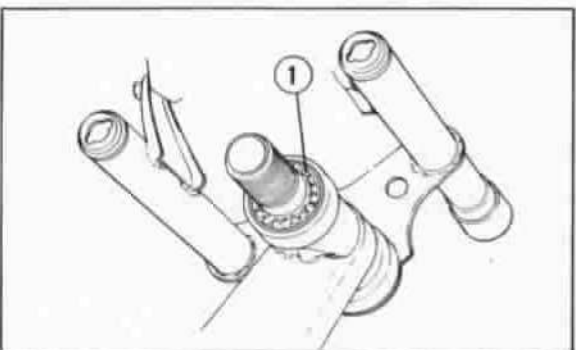
① Fork top thread  
② Front fork guide cap  
Fig. 36



① Steel ball  
Fig. 37



① Steering stem  
Fig. 38



① Grease  
Fig. 39

7. Remove the front fork bolts and loosen the fork guide caps (Fig. 36). Then pull out the front shock absorber assemblies.
8. Remove the steering handle holder and remove the steering stem and front.
9. Remove the steering head top thread and steering top cone race. Then remove the steering top ball races, bottom cone race and steel balls.

**Caution :**

Take care not to drop the steel balls.

**B. Inspection**

1. Check the control cables for proper operation. Also check for breakage or any other damage. Relubricate if necessary.
2. Check the steel balls for wear or damage (Fig. 37).
3. Check the contact surfaces of the steering top and bottom cone races and steering top ball races for scores, scratches or wear.
4. Check the steering stem for bend or twist (Fig. 38).
5. Check the threaded parts for breakage or deformation.
6. Check the handlebar holder for breakage.

**C. Assembly**

1. To assemble, reverse the disassembly procedures.
2. Before installing the cone races, ball races and steel balls, wash them clean and apply a coat of new grease to them (Fig. 39).
3. Adjust the control cables.