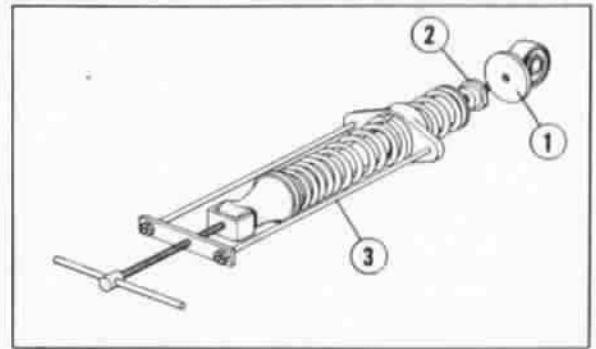


- Using a special tool, loosen the locking nut, remove the upper metal and disassemble each rear shock absorber. (See Fig. 46.)



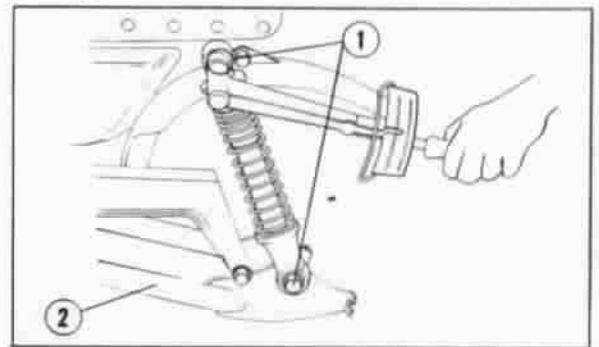
① Rear shock absorber upper metal
 ② Locking nut
 ③ Rear shock absorber dis/assembly tool
 Fig. 46

B. Assembly

- To assemble, reverse the disassembly procedures.

Notes:

- Install the spring with the smaller pitch end upward.
 - Apply a coat of locking sealant to the upper metal.
- Install the rear shock absorbers to the rear fork and frame and secure with the cap nuts. (See Fig. 47.) See the Tightening Torque Standard.
 - Install the rear wheel. (See Section 6-C.)



① Cap nut ② Rear fork
 Fig. 47